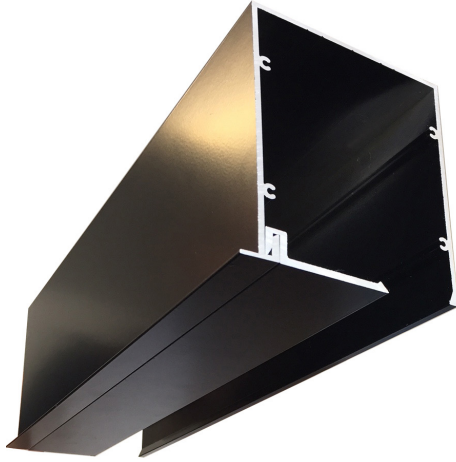


VANDA RECESS FLUSHBOX



Vanda Recess FlushBox - Designed to conceal Roller Blinds above the line of the ceiling, creating a seamless finish, at the wall to ceiling junction.

The FlushBox is made from extruded aluminium and has a removable cover plate that conceals the blind from view.

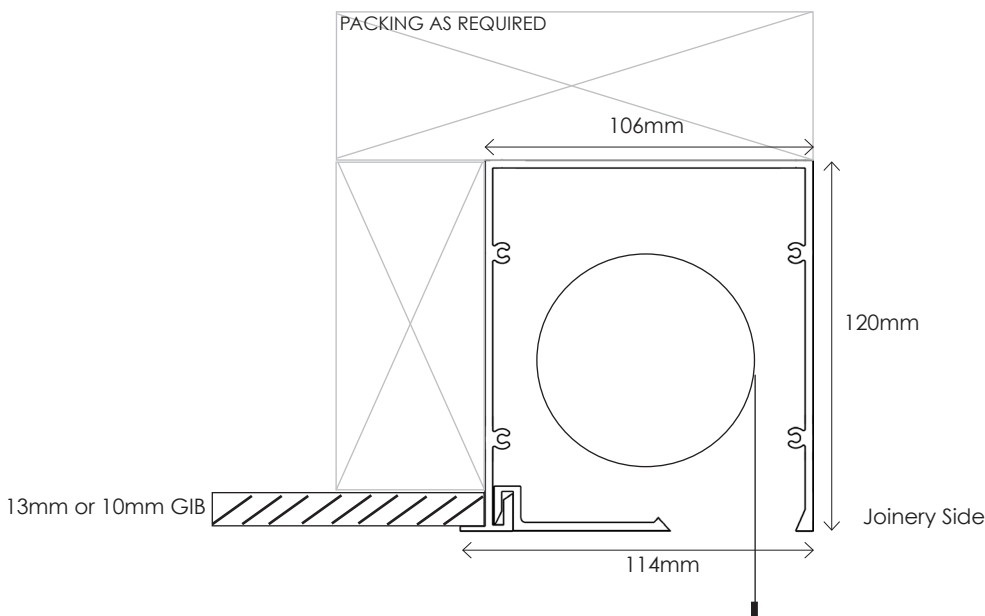
The FlushBox can be fitted after the ceiling linings have been fixed, stopped and painted as the box has an 8.0mm flange that covers the end of the cut gib sheet. Builders need to frame out accurately to allow the FlushBox to fit.

A full recess FlushBox extrusion and a part FlushBox extrusion is available with removable cover plates.

The full recess FlushBox extrusion has endcaps available, supplied in pairs.

Blinds can be chain control or automated.

Trimming of the removable cover plate is required for chain control blinds. FlushBox extrusion and end caps can be supplied in Mill Finish (M/F) or custom powder coated. Extrusions come supplied in 4.2m lengths.



VANDA HOLDINGS LTD

Auckland - Unif G, 166 Marua Road, Ellerslie, Auckland
Christchurch - 43 Epsom Road, Sockburn, Christchurch
P: 0800 826 326 F: 09 580 1351
E: admin@vanda.co.nz
www.vanda.co.nz

